

# LT89101L --- Product Brief

## MIPI-to-LVDS Level Shifter

### Features

- Support 3-bit maximum 10dB Input Equalization
- Signal Re-driving without Data De-packetize
- Input Data Lane and Polarity Swapping
- 80Mb/s~2.5Gb/s per Data Lane for Both Input and Output
- 1.8V Single Supply Power
- Support 100KHz / 400KHz I2C slave
- External 25MHz Crystal Reference Clock
- Temperature Range: -40°C ~ +85°C
- Packaged in QFN64 7.5mm x 7.5mm and BGA81 5mm x 5mm

### Description

The Lontium LT89101L is a high performance MIPI-to-LVDS

level shifter for different system application.

The LT89101L is fabricated in advanced CMOS process and implemented in a small outline 7.5mm x 7.5mm QFN64 package. This package is RoHS compliant and specified to operate from -40°C to +85°C.

### Applications

- Mobile systems
- Home security systems
- Digital video cameras
- Digital still cameras
- Tablet PC, Notebook PC
- Car Display and Camera System
- Signal bridge in FPGA verification

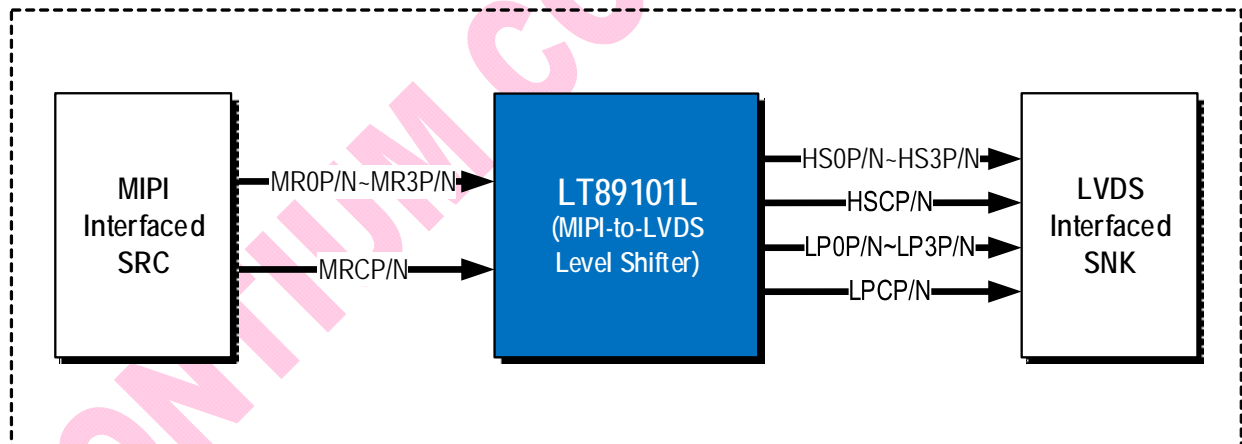


Figure 1. Typical Application and System Diagram

### Ordering Information

Part Number	Operating Temperature Range	Package	Packing Method
LT89101L	-40° C to +85° C	QFN64 (7.5*7.5)/BGA81 (5*5)	Tray

**Copyright © 2016-2017 Lontium Semiconductor Corporation, All rights reserved.**

### **Lontium Semiconductor Proprietary & Confidential**

This document and the information it contains belong to Lontium Semiconductor. Any review, use, dissemination, distribution or copying of this document or its information outside the scope of a signed agreement with Lontium is strictly prohibited.

LONTIUM DISCLAIMS ALL WARRANTIES, EXPRESSED OR IMPLIED, INCLUDING THOSE OF NONINFRINGEMENT, MERCHANTABILITY, TITLE AND FITNESS FOR A PARTICULAR PURPOSE. CUSTOMERS EXPRESSLY ASSUME THEIR OWN RISK IN RELYING ON THIS DOCUMENT.

LONTIUM PRODUCTS ARE NOT DESIGNED OR INTENDED FOR USE IN LIFE SUPPORT APPLIANCES, DEVICES OR SYSTEMS WHERE A MALFUNCTION OF A LONTIUM DEVICE COULD RESULT IN A PERSONAL INJURY OR LOSS OF LIFE.

Lontium assumes no responsibility for any errors in this document, and makes no commitment to update the information contained herein. Lontium reserves the right to change or discontinue this document and the products it describes at any time, without notice. Other than as set forth in a separate, signed, written agreement, Lontium grants the user of this document no right, title or interest in the document, the information it contains or the intellectual property in embodies.

### **Trademarks**

Lontium™ and ClearEdge™ is a registered trademark of Lontium Semiconductor. All Other brand names, product names, trademarks, and registered trademarks contained herein are the property of their respective owners.

**Visit our corporate web page at: [www.lontiumsemi.com](http://www.lontiumsemi.com)**

**Technical support: [support@lontium.com](mailto:support@lontium.com)**

**Sales: [sales@lontium.com](mailto:sales@lontium.com)**