

# LT86104NX --- Product Brief

## HDMI/DVI 1:4 Splitter

### Features

- HDMI 1.4/DVI 1.0 specifications compliant
- Support 3D video formats and 4Kx2K extended resolution formats up to 3.4Gbps data rate
- Adaptive equalization and de-emphasis to compensate long cable losses
- ODTs and calibration
- 5V-tolerant DDC interfaces
- 1 HDMI/DVI input port, up to 4 HDMI/DVI output ports
- Unlimited cascading for more output ports or signal repeating
- 128-pin LQFP package

Fabricated in an advanced CMOS process, the LT86104NX is provided in a 128-lead LQFP package and is specified over the 0°C to +70°C temperature range.

### Description

The LT86104NX is Lontium's 3rd generation 4-port HDMI/DVI splitter which can repeat one HDMI/DVI signal to 4 HDMI/DVI signal sets, supporting up to 4 different HDMI/DVI receiving/display terminals. Based on ClearedEdge™ technology, it supports up to 3.4Gbps data rate per channel, compliant with the HDMI 1.4/DVI 1.0 specifications.

The device incorporates a pair of ODTs, an adaptive equalizer and a CDR circuit on each data channel of receiver side, and a de-emphasis driver with optional back terminations on each data channel of transmitter side. The clock channel feeds a high-performance PLL that regenerates a low jitter output clock for data recovery.

## Application

Multiple display/TV support  
HDMI/DVI signal splitting/repeating

## Function Block Diagram

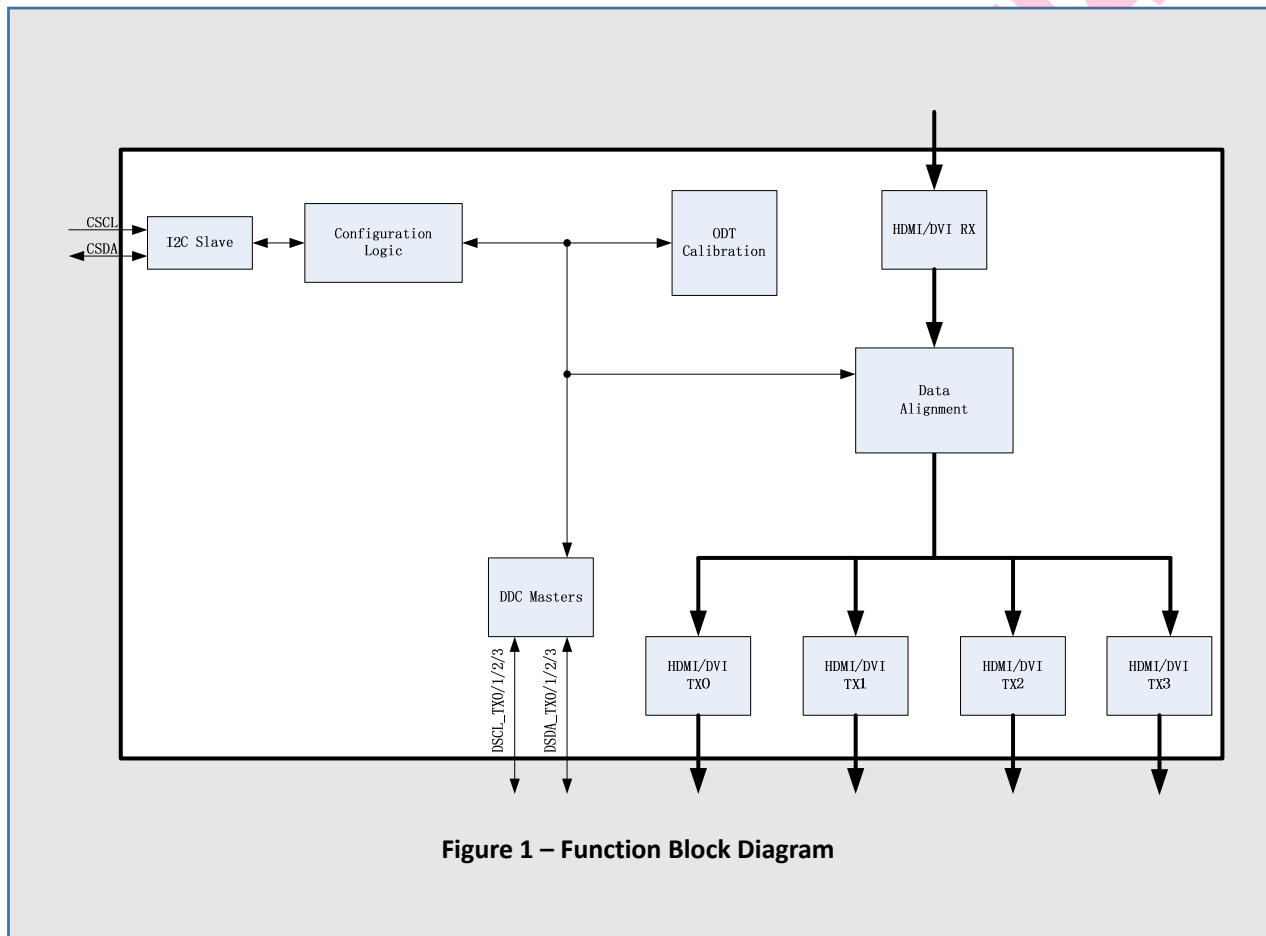


Figure 1 – Function Block Diagram

## Ordering Information

Part Number	Operating Temperature Range	Package	Packing Method
LT86104NX	0 to 70°C	LQFP128	Tape and Reel

## Lontium Semiconductor Proprietary & Confidential

This document and the information it contains belong to Lontium Semiconductor. Any review, use, dissemination, distribution or copying of this document or its information outside the scope of a signed agreement with Lontium is strictly prohibited.

LONTIUM DISCLAIMS ALL WARRANTIES, EXPRESSED OR IMPLIED, INCLUDING THOSE OF NONINFRINGEMENT, MERCHANTABILITY, TITLE AND FITNESS FOR A PARTICULAR PURPOSE. CUSTOMERS EXPRESSLY ASSUME THEIR OWN RISK IN RELYING ON THIS DOCUMENT. LONTIUM PRODUCTS ARE NOT DESIGNED OR INTENDED FOR USE IN LIFE SUPPORT APPLIANCES, DEVICES OR SYSTEMS WHERE A MALFUNCTION OF A LONTIUM DEVICE COULD RESULT IN A PERSONAL INJURY OR LOSS OF LIFE.

Lontium assumes no responsibility for any errors in this document, and makes no commitment to update the information contained herein. Lontium reserves the right to change or discontinue this document and the products it describes at any time, without notice. Other than as set forth in a separate, signed, written agreement, Lontium grants the user of this document no right, title or interest in the document, the information it contains or the intellectual property it embodies.

### Trademarks

Lontium™ and ClearedEdge™ is a registered trademark of Lontium Semiconductor. All Other brand names, product names, trademarks, and registered trademarks contained herein are the property of their respective owners.

Visit our corporate web page at: [www.lontiumsemi.com](http://www.lontiumsemi.com)

Technical support: [support@lontium.com](mailto:support@lontium.com)

Sales: [sales@lontium.com](mailto:sales@lontium.com)