

LT8311 --- Product Brief

USB 2.0 Repeater

Features

- Extension length up to 80 meters
- Support USB 2.0 high-speed and USB 1.1(low-speed and full-speed)
- Support hot plug
- Internal pull-up and pull-down resistor
- Pin control and I2C control mode for equalization
- Single 3.3V power supply
- 16-pin TSSOP RoHS package
- ESD:HBM to 2KV

Description

LT8311 is a low cost high performance USB2.0 repeater that supports signal transferring extension over cat5/5e/6 cables, compliant with USB2.0 specification. The extension length is up to 80 meters over CAT6 cable, 60 meters over CAT5e cable and 50 meters over CAT5 cable. It eliminates the 5 meters distance limitation of USB2.0 specification.

There are 4 lines used for data transferring between two LT8311 chips. Internal equalization settings can be changed through I2C interface for different extension lengths.

Applications

- Desktop and laptop computers, docking stations
- Servers and workstations
- Data storage systems

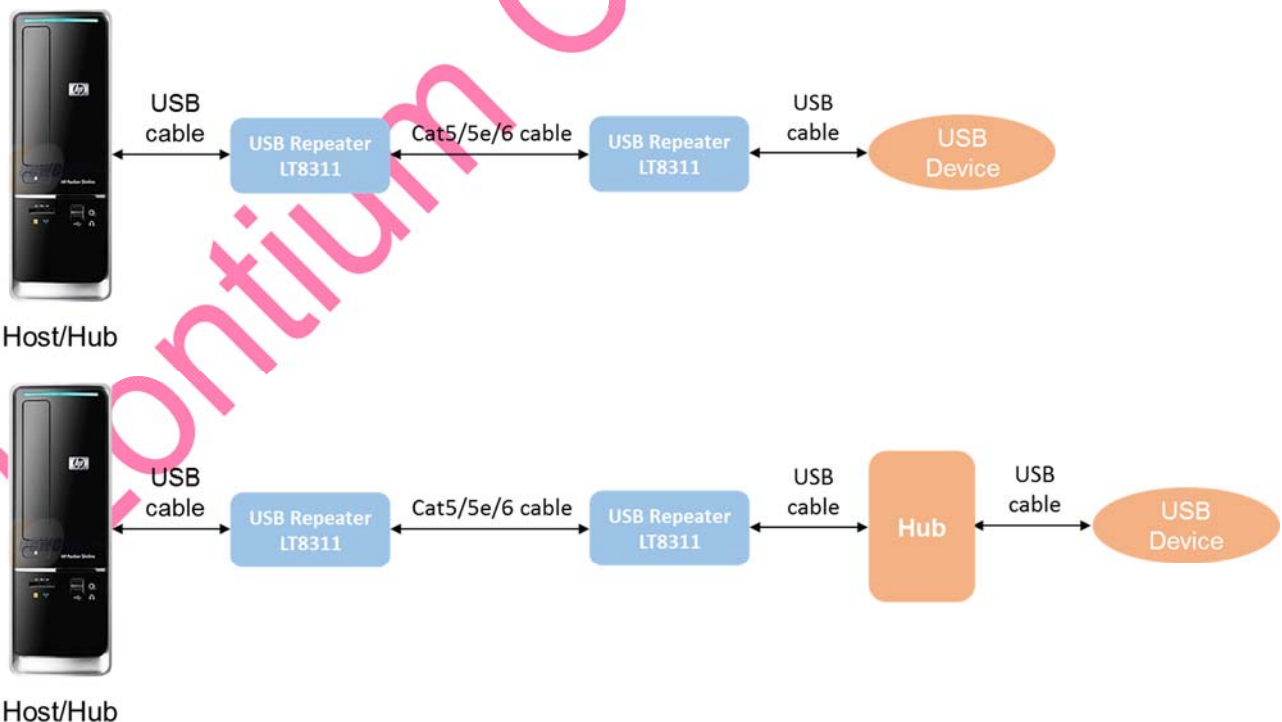


Figure 1. System Application Diagrams

Ordering Information

Part Number	Operating Temperature Range	Package	Packing Method
LT8311	-40° C to +85° C	TSSOP16	Tube

Lontium Confidential

Copyright © 2012、 2017 Lontium Semiconductor Corporation, All rights reserved.

Lontium Semiconductor Proprietary & Confidential

This document and the information it contains belong to Lontium Semiconductor. Any review, use, dissemination, distribution or copying of this document or its information outside the scope of a signed agreement with Lontium is strictly prohibited.

LONTIUM DISCLAIMS ALL WARRANTIES, EXPRESSED OR IMPLIED, INCLUDING THOSE OF NONINFRINGEMENT, MERCHANTABILITY, TITLE AND FITNESS FOR A PARTICULAR PURPOSE. CUSTOMERS EXPRESSLY ASSUME THEIR OWN RISK IN RELYING ON THIS DOCUMENT.

LONTIUM PRODUCTS ARE NOT DESIGNED OR INTENDED FOR USE IN LIFE SUPPORT APPLIANCES, DEVICES OR SYSTEMS WHERE A MALFUNCTION OF A LONTIUM DEVICE COULD RESULT IN A PERSONAL INJURY OR LOSS OF LIFE.

Lontium assumes no responsibility for any errors in this document, and makes no commitment to update the information contained herein. Lontium reserves the right to change or discontinue this document and the products it describes at any time, without notice. Other than as set forth in a separate, signed, written agreement, Lontium grants the user of this document no right, title or interest in the document, the information it contains or the intellectual property in embodies.

Trademarks

Lontium™ and ClearEdge™ is a registered trademark of Lontium Semiconductor. All Other brand names, product names, trademarks, and registered trademarks contained herein are the property of their respective owners.

Visit our corporate web page at: www.lontiumsemi.com

Technical support: support@lontium.com

Sales: sales@lontium.com